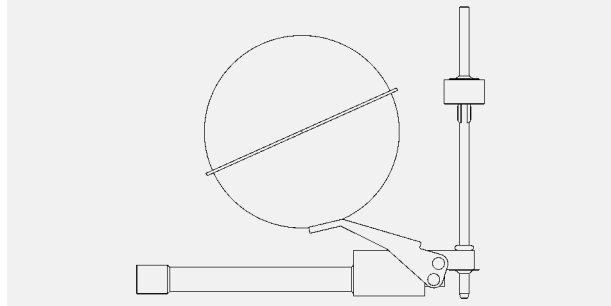


REPLACEMENT COMPONENTS

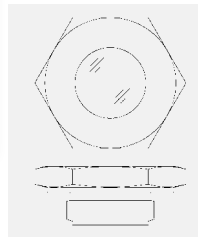
OIL SEPARATORS



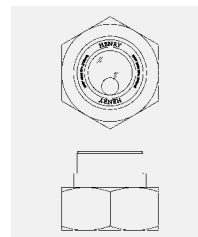
Vessel Part No	Replacement Float Assy + Gasket	Gasket only
S-58*	A-5000-30	2-023-001

Vessel Part No	Replacement Float Assy + Gasket	Gasket only
S-520*	SN-1900-30S	2-023-001
S-190*		
S-541*		
SN-529*		
S-290*		
Vessel Part No	Replacement Float Assy + Gasket	Gasket only
S-528*	A-5700-30	2-023-001
S-579*		

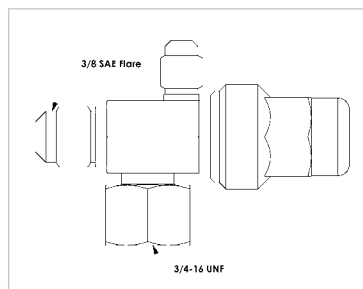
OIL RESERVOIRS / SEPARATOR-RESERVOIRS



Standard Sight Glass
3-020-079 (1.50 A/F Hex) O-ring S81-3-123

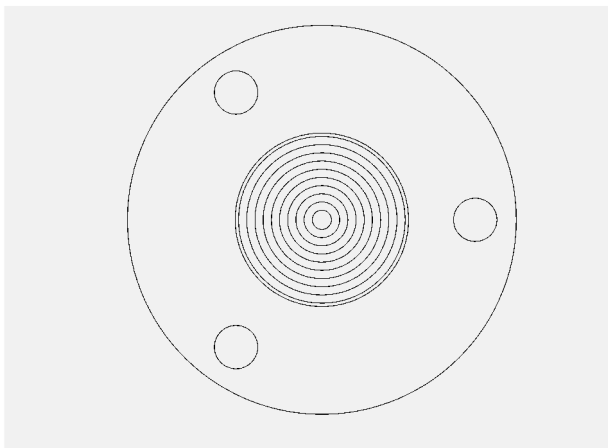


Rotalock-style Sight Glass & Gasket
647-2020-2



3/8 SAE Flare
Rotalock Valve 2616-061220
Teflon seal Gasket
800-26XX-12

OIL LEVEL REGULATORS



Part No	Description
2-020-006	Reflex Lens Sight Glass
S81-3-125	O-ring
2-023-003	Quad-ring
3-033-201-HPT	Standard Seal Kit (note 1)

Note 1. This is the standard seal kit supplied with each S-95 series regulator. It includes bolts, nuts, quad and O-rings.

INTELOIL CONTROLLER

Part No	Description
H12101	Oil Connector/Filter

REPLACEABLE CORE FILTER DRIERS

Cover plate Gasket: A5011

Replaceable Core Inners:

- 1 Core: 720-3017-01
- 2 Core: 720-3017-02
- 3 Core: 720-3017-03
- 4 Core: 720-3017-04

ACCESSORIES

HEAT ELEMENTS

Heat elements add heat to oil separators to prevent migration of refrigerant to the vessel during off cycles of the compressor.

4" diameter heat bands can be installed on the sump of the S-520*, S-190*, S-541*, SN-529*, S-529*, S-290*, S-528* & S-579* series

Oil Separators.

Heat elements can also be used on suction line accumulators to warm the oil and allow oil return to the compressor on low temperature applications.

Part No	Vessel Diameter (inch)	Wattage (W)	Volts (V)
S-9101	4	25	110 AC
S-9111	4	25	220 AC
S-9112	6	50	220 AC

